

Minutes of the Munson Township Park & Recreation Board Meeting

Tuesday, April 8, 2014

The meeting was called to order at 6:30pm by Art Hollis.

Present: Art Hollis (Chairman), Claudia Toth (Vice), Jim O'Neill, and Joe Rosboril.

MINUTES

Art Hollis made a motion which was seconded by Claudia Toth, to approve the meeting minutes from March 11, 2014. Passed unanimously.

OLD BUSINESS:

Current project review

Playground – Joe Rosboril presented the Meyer Design playground to the Trustees. Mr. Rosboril believes that the Trustees misunderstood the Park Board's recommendation since they thought the Park Board deleted the fence. The Trustees may not want the fence price included in the quote. Art Hollis will attend the next Trustees meeting.

Bleachers – Joe Rosboril met a sales person from Shiffler Equipment Sales Inc. of Chardon earlier today at Town Hall Park. He will submit a quote for new bleachers.

Candy bags for Easter Egg Hunt

The Easter Egg Hunt is scheduled for Saturday, April 19, 2014 at 10:00am at Munson Township Park. Jen Evans and her Girl Scout Troop will be filling the candy bags on Saturday, April 12, 2014. Art Hollis has not heard from Lisa Breier's and her Boy Scout Troup in regards to the Boy Scouts help. Park Board members will scatter the eggs on the fields and park cars. All Park & Recreation Board members are available for the event and will meet at Munson Township Park at 9:15am.

Additional entrance sign at Nero Nature Preserve

Nothing to report at the time.

Bird repellent for Scenic River Retreat

The Trustees will purchase the material for bird repellent at Scenic River Retreat. Many municipalities now build their pavilions in such a way that the birds are not attracted to nest in them. If it works well at Scenic River Retreat, it will be considered for installation at other Munson Township Parks.

Community Day involvement of the Park Board

The Park & Recreation Board will give the Trustees their Community Day ideas at this evenings meeting. Park & Recreation Board members would like to see the picnic set up with businesses and community groups this year in preparation for next year's bicentennial.

Ideas for Community Day

The Park & Recreation Board presented suggestions in regards to Community Day at the Trustees meeting on March 18, 2014. The Trustees will take them into consideration and get back to the Park Board.

Munson Township Park & Recreation Board
Tuesday, April 8, 2014 – Page 2

Fireplace at Scenic River Retreat

The fireplace has been cancelled for 2014.

NEW BUSINESS:

Boy Scouts Pancake Breakfast

Lisa Breier mentioned to Art Hollis that the Boy Scouts would like to put on a pancake breakfast during the Easter Egg Hunt. Park Board members were not aware of this addition that was approved by Trustee Andy Bushman. Lisa Breier did not attend the meeting to discuss her plans. The Park Board will proceed with the Easter Egg Hunt as intended.

Eagle Scout project

Larry King would like to put a picnic area with a picnic table and grill at the triangle by Sherman Road for his Eagle Scout project. A drawing was passed out to Park Board members and attached to the minutes. Larry King asked if the Township has an extra grill that he can utilize in the picnic area. Mr. King researched many of the picnic locations in the area to see how they were constructed. For the ground surface of the picnic area, the top layer of soil would be removed, sand put down for drainage, then weed guard topped with wood chips. Claudia Toth made a motion which was seconded by Joe Rosboril that the Park & Recreation Board approved the picnic area by Larry King for his Eagle Scout project at Munson Town Hall. Passed unanimously.

Fishing Derby

All Park & Recreation Board members are available to help at the Fishing Derby scheduled for Saturday, May 3, 2014. Trustee Andy Bushman will talk to the Boy Scouts for event volunteers. Park Board members are asked to meet at Scenic River retreat at 8:00am.

OTHER BUSINESS

Since there are four Munson Township Parks and four Park & Recreation Board members, each member will be assigned a park to check on a weekly basis. Any unusual things are to be brought to the attention of the Board. Assignments are as follow: Nero Nature Preserve - Art Hollis, Scenic River Retreat – Claudia Toth, Munson Township Park – Jim O'Neill and Town Hall Park – Joe Rosboril.


ATTACHMENT:

Eagle Scout project drawings

ADJOURNMENT:


Joe Rosboril made a motion to adjourn the meeting at 7:27pm.

The next meeting will be held Tuesday, May 13, 2014 at 6:30pm at Munson Town Hall.



Art Hollis

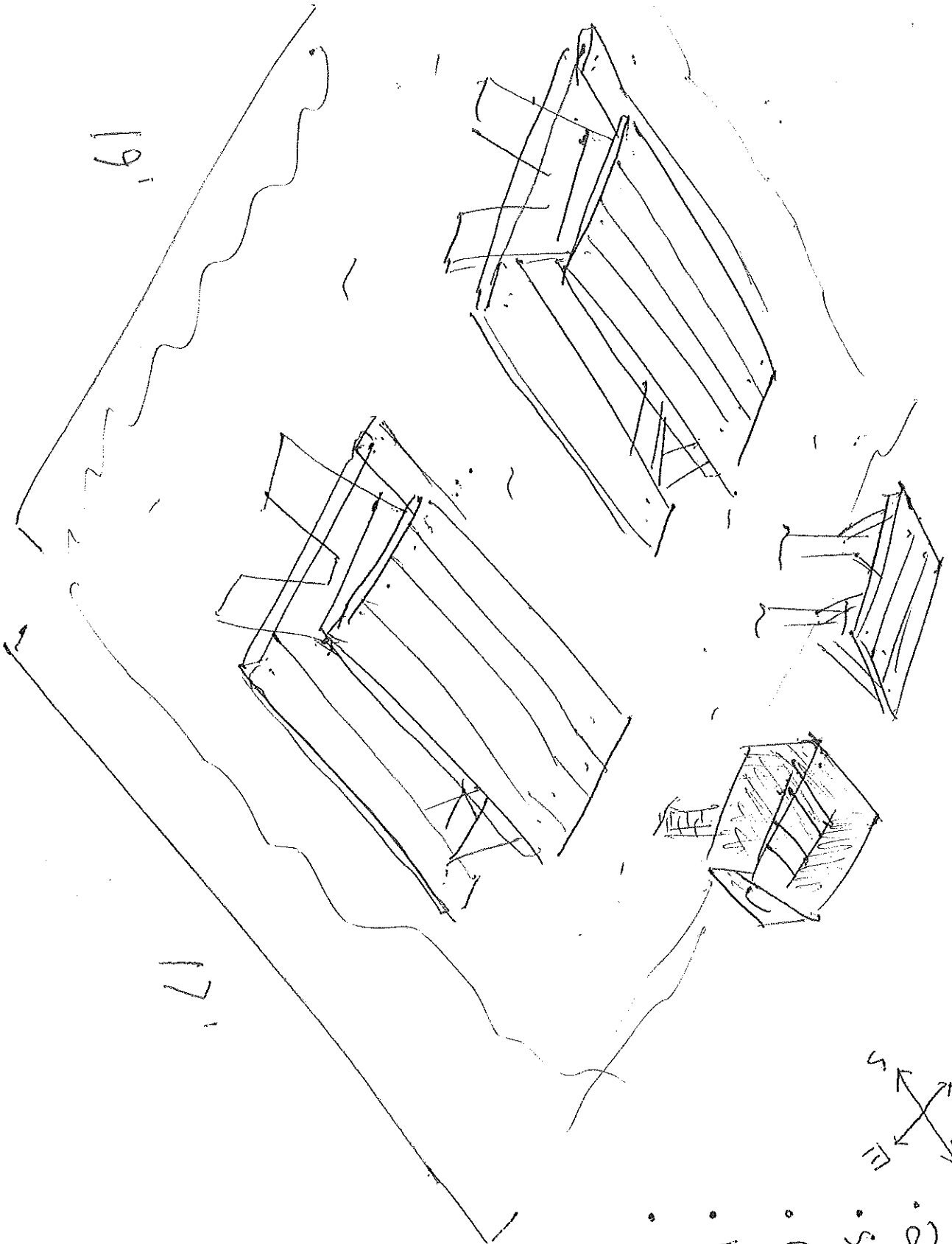
Chairman



Julie Johnston

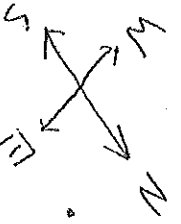
Secretary

cc: Park Board Members
Township Trustees and Fiscal Officer
Road Superintendent



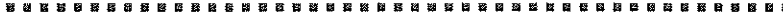
19'

17'

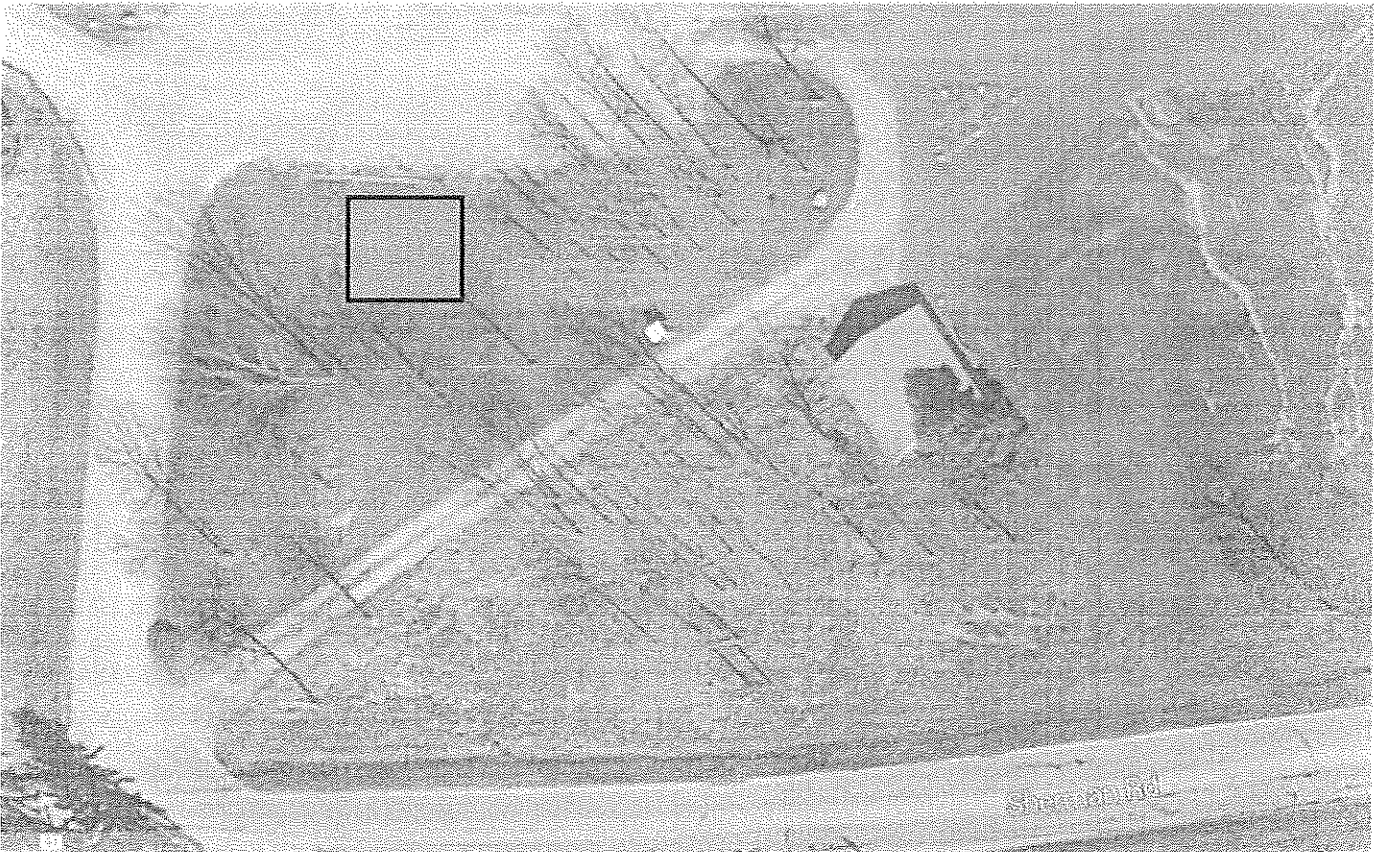
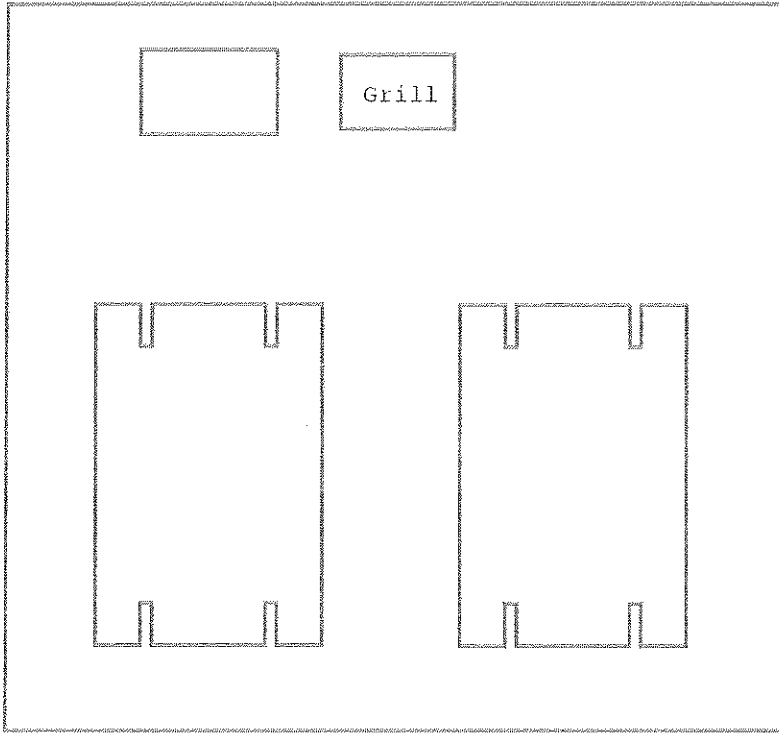


- Picnic Tables
- Small Side Table
- Charcoal grill
- Wood-chips
- Weed-guard

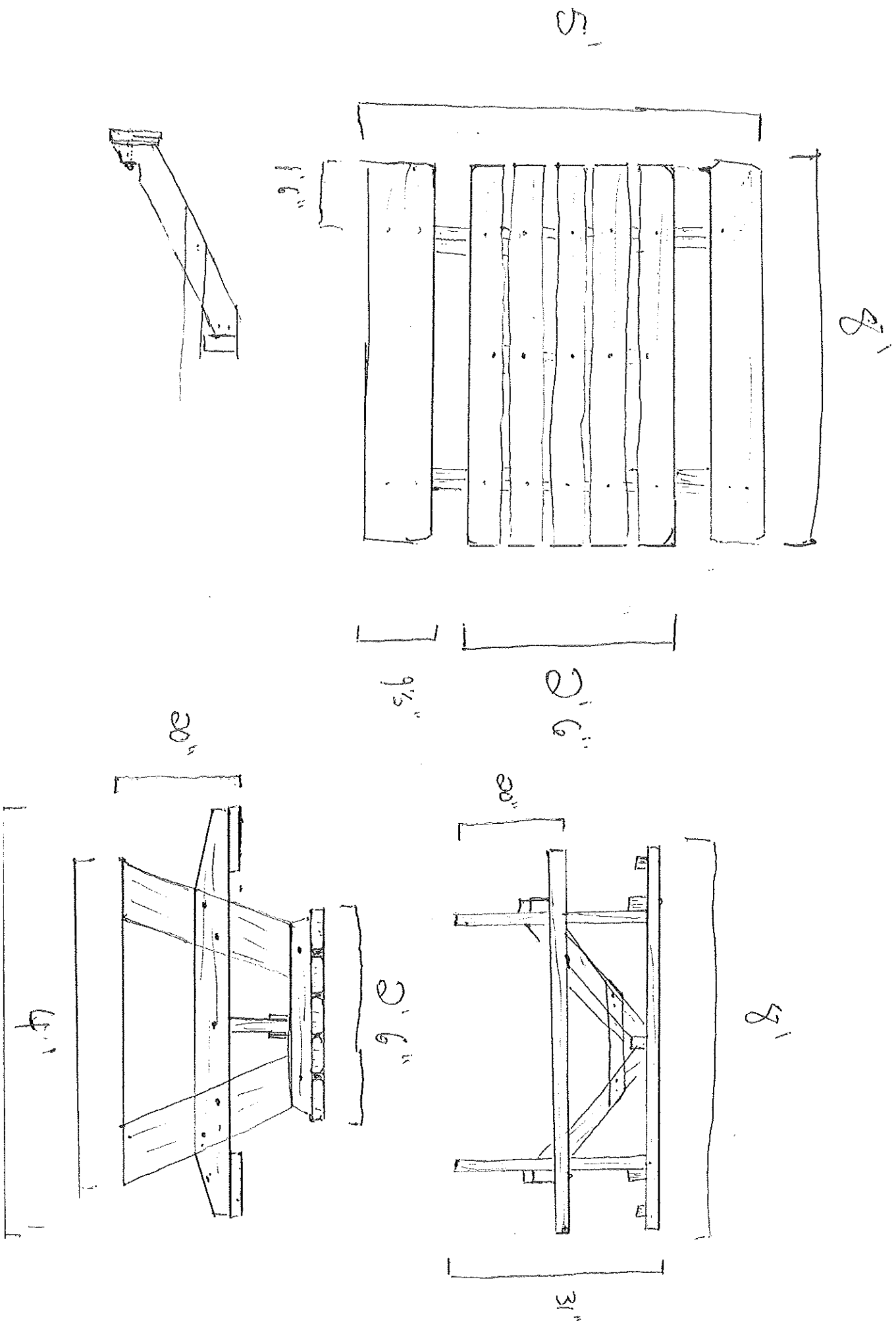
19 feet

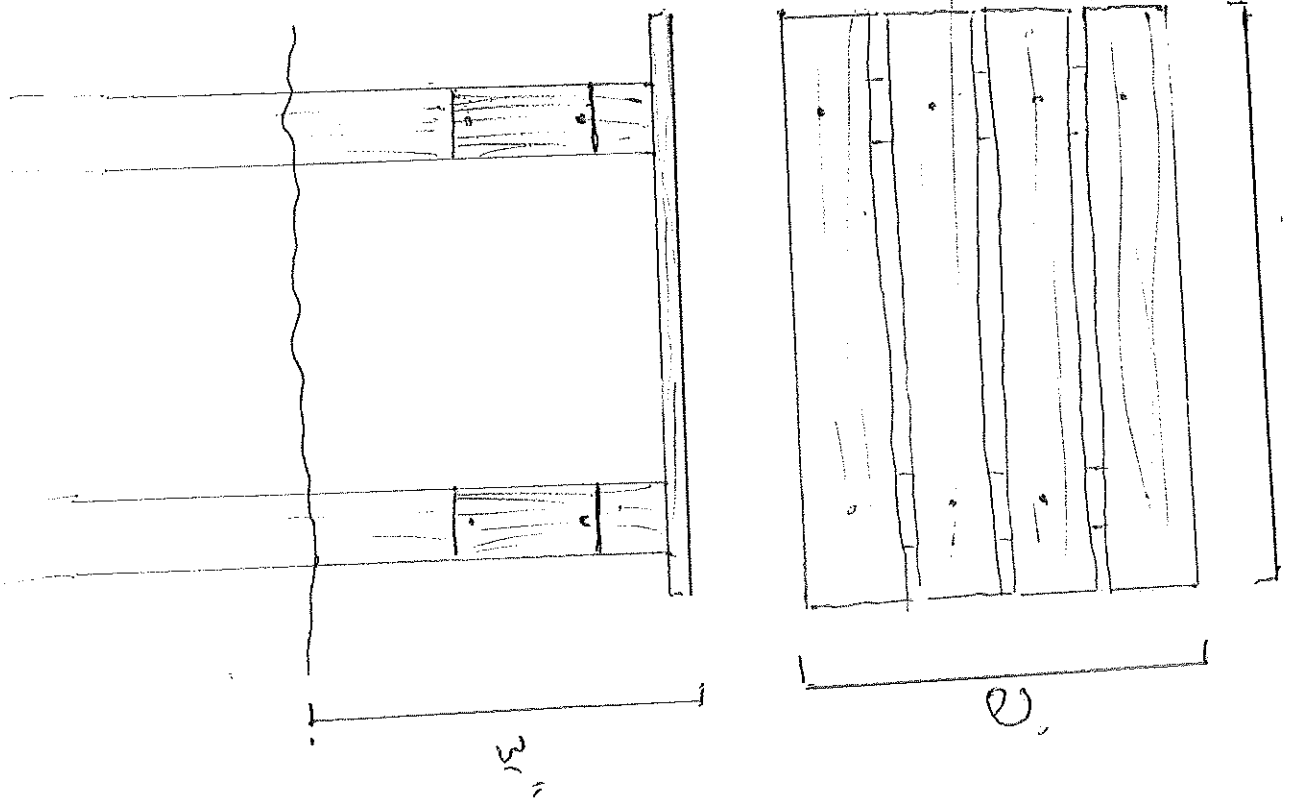
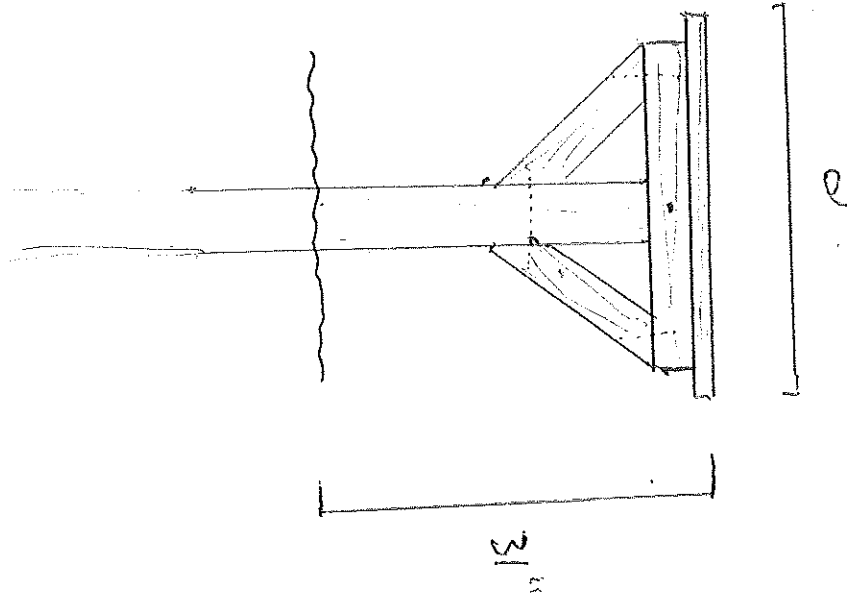


17 feet



Treated Lumber with Galvanized Hardware





1 treated Lumber
 with Galvanized
 Hardware